

DECLARATION OF PERFORMANCE

GAH/LE-004 dated 14.07.2020

- Product type: ETA 10/0210 post support
Type no.: 326, 327, 345, 365, 365v, 366, 367, 394, 451, 472, 480, 481, 665
- Intended use: Post support for supporting timber pillars and posts as load-bearing elements
- Manufacturer:
Gust. Alberts GmbH & Co. KG
Blumenthal 2
58849 Herscheid
Manufacturing plants 6166, 6167, 6168
- Authorised representative: Not applicable
- Assessment system: 2+
- + 7 Technical specifications and notified bodies:**

	Name	No.	Assessment system	Reference document	EAD (ETAG) No. / EN standard
Technical assessment	ETA Danmark A/S	--	2+	ETA 10 / 0210 dated 02.07.2015	ETAG015:2013-04
In-house production control	Karlsruhe Institute of Technology	0769	2+	0769-CPR-6166-01 0769-CPR-6167-01 0769-CPR-6168-01	

8. Declared performance:

Essential characteristics	Performance	ETA section / EN standard
Characteristic load-bearing capacity	See annex	Annex B from ETA
Stiffness	No performance determined	
Ductility in cyclic testing	No performance determined	
Fire behaviour	Euroclass A1	DIN EN 13501-1: 2010-01
Hygiene, health and environmental protection	The product does not contain hazardous substances given in TR 034 of March 2012	ETA item 3
Sustainable utilisation of natural resources	No performance determined	
Durability	Steel S235JR, hot galvanized >55 µm Service class 1, 2 and 3 Stainless steel 1.4301 Service class 3	EN 1461:2009-10 EN 10088-3:2014-12 ETA II - item 3.11
Identification	See annex	See annex A from ETA 10/0210

- The performance of the product in number 1 corresponds to the declared performance in number 8. The responsibility for the issuing of this declaration of performance in compliance with (EU) No. 305/2011 lies solely with the manufacturer stated in number 3. Signed for and in the name of the manufacturer by:

Lukas Sonntag

Name

Head of Quality Management

Role

Herscheid, 14 July 2020

Location and date of issue

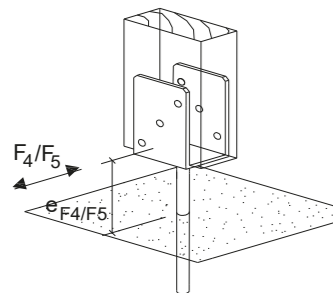
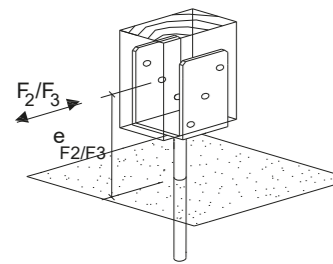
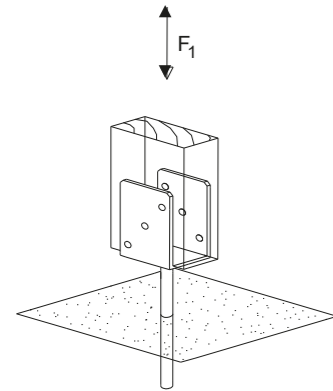
i.A.

Signature

Attachment to the Declaration of Performance GAH/LE-004 dated 14.07.2020

Characteristic values of load-bearing capacity

The values given are only intended as a planning aid

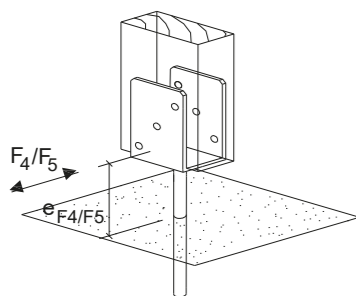
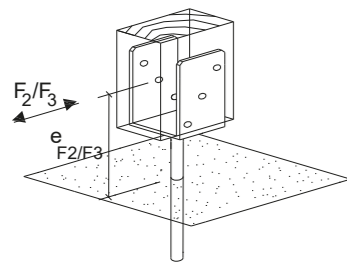
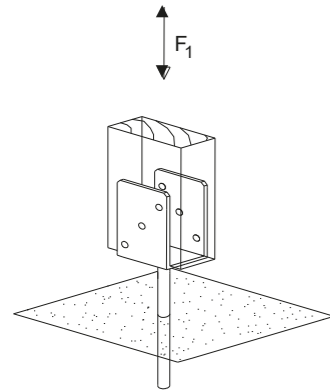


Means of connection bolts (bar dowel)	Means of connection screws (wood screw)	Post min w/h	Distances max a	Distances F2/F3	Distances F4/F5	F1 pressure, kN, wood, ym	F1 pressure, kN, steel, ym,0	F1 pressure, kN, steel, ym,1	F1 pressure, kN, steel, ym,2	F1 tension, kN, wood, ym	F1 tension, kN, steel, ym,0	F1 tension, kN, steel, ym,2	F2/3, kN, wood, ym	F2/3, kN, steel, ym,0	F2/3, kN, steel, ym,1	F2/3, kN, steel, ym,2	F4/5, kN, wood, ym	F4/5, kN, steel, ym,0	F4/5, kN, steel, ym,2	Order no. 4004338...	Type no.	
CE	-	3 x 10 x 60 mm	80/95 mm	50 mm	-	61.70	33.80	-	-	4.46	2.81	3.45	-	-	-	-	-	-	-	213954	326	
CE	1 x 10 mm	4 x 10 x 60 mm	71/115 mm	50 mm	139 mm	77 mm	56.10	48.30	-	-	8.91	6.28	6.90	5.94	-	-	2.11	11.70	5.58	-	214234	327
CE	1 x 10 mm	4 x 10 x 60 mm	75/115 mm	50 mm	139 mm	77 mm	58.60	48.30	-	-	8.91	5.74	6.90	5.94	-	-	2.11	12.30	5.58	-	214241	327
CE	1 x 10 mm	4 x 10 x 60 mm	81/115 mm	50 mm	139 mm	77 mm	62.40	48.30	-	-	8.91	5.09	-	5.94	-	-	2.11	12.30	5.58	-	214258	327
CE	1 x 10 mm	4 x 10 x 60 mm	91/115 mm	50 mm	139 mm	77 mm	68.70	48.30	-	-	8.91	4.28	-	5.94	-	-	2.11	12.30	5.58	-	214265	327
CE	1 x 10 mm	4 x 10 x 60 mm	101/115 mm	50 mm	139 mm	77 mm	75.00	48.30	-	-	8.91	3.69	-	5.94	-	-	2.11	12.30	5.58	-	214289	327
CE	1 x 10 mm	4 x 10 x 60 mm	121/115 mm	50 mm	139 mm	77 mm	87.60	48.30	-	-	8.91	2.90	-	5.94	-	-	2.11	12.30	5.58	-	214296	327
CE	1 x 10 mm	4 x 10 x 60 mm	141/115 mm	50 mm	139 mm	77 mm	100.20	48.30	-	-	8.91	2.38	-	5.94	-	-	2.11	12.30	5.58	-	214302	327
CE	2 x 10 mm	-	71/80 mm	-	175 mm	25 mm	23.20	-	27.60	-	12.70	6.36	-	8.17	1.32	-	-	7.81	-	2.57	212766	345
CE	2 x 10 mm	-	81/80 mm	-	175 mm	25 mm	23.20	-	27.60	-	12.70	7.41	-	9.32	1.32	-	-	7.81	-	2.57	212780	345
CE	2 x 10 mm	-	91/80 mm	-	175 mm	25 mm	23.20	-	27.60	-	12.70	8.86	-	10.50	1.32	-	-	7.81	-	2.57	212797	345
CE	2 x 10 mm	-	101/80 mm	-	175 mm	25 mm	23.20	-	27.60	-	12.70	11.00	-	10.70	1.32	-	-	7.81	-	2.57	212810	345
CE	2 x 10 mm	-	121/80 mm	-	175 mm	25 mm	23.20	-	27.60	-	12.70	17.10	-	10.70	1.32	-	-	7.81	-	2.57	212827	345
CE	2 x 10 mm	-	71/80 mm	50 mm	125 mm	77 mm	25.30	-	45.50	-	12.70	-	81.80	8.17	-	15.60	-	7.85	-	3.88	213800	365
CE	2 x 10 mm	-	81/80 mm	50 mm	125 mm	77 mm	25.30	-	45.50	-	12.70	-	81.80	9.32	-	15.60	-	7.85	-	3.88	213817	365
CE	2 x 10 mm	-	91/80 mm	50 mm	125 mm	77 mm	25.30	-	45.50	-	12.70	-	81.80	10.50	-	15.60	-	7.85	-	3.88	213824	365
CE	2 x 10 mm	-	101/80 mm	50 mm	125 mm	77 mm	25.30	-	45.50	-	12.70	-	81.80	11.60	-	15.60	-	7.85	-	3.88	203917	365
CE	2 x 10 mm	-	111/80 mm	50 mm	125 mm	77 mm	25.30	-	45.50	-	12.70	-	81.80	12.80	-	15.60	-	7.85	-	3.88	203924	365
CE	2 x 10 mm	-	116/80 mm	50 mm	125 mm	77 mm	25.30	-	45.50	-	12.70	-	81.80	13.30	-	15.60	-	7.85	-	3.88	203931	365
CE	2 x 10 mm	-	121/80 mm	50 mm	125 mm	77 mm	25.30	-	45.50	-	12.70	-	81.80	13.90	-	15.60	-	7.85	-	3.88	203948	365
CE	2 x 10 mm	-	91/80 mm	50 mm	130 mm	82 mm	27.10	-	71.00	-	13.60	-	98.20	10.50	-	19.30	-	10.40	5.05	-	213626	365 v
CE	2 x 10 mm	-	95/80 mm	50 mm	130 mm	82 mm	27.10	-	71.00	-	13.60	-	98.20	10.90	-	19.30	-	10.40	5.05	-	213886	365 v
CE	2 x 10 mm	-	101/80 mm	50 mm	130 mm	82 mm	27.10	-	71.00	-	13.60	-	98.20	11.60	-	19.30	-	10.40	5.05	-	213831	365 v
CE	2 x 10 mm	-	111/80 mm	50 mm	130 mm	82 mm	27.10	-	71.00	-	13.60	-	98.20	12.80	-	19.30	-	10.40	5.05	-	213879	365 v
CE	2 x 10 mm	-	116/80 mm	50 mm	130 mm	82 mm	27.10	-	71.00	-	13.60	-	98.20	13.30	-	19.30	-	10.40	5.05	-	213916	365 v
CE	2 x 10 mm	-	121/80 mm	50 mm	130 mm	82 mm	27.10	-	71.00	-	13.60	-	98.20	13.90	-	19.30	-	10.40	5.05	-	213848	365 v
CE	2 x 10 mm	-	141/80 mm	50 mm	130 mm	82 mm	27.10	-	71.00	-	13.60	-	98.20	16.20	-	19.30	-	10.40	5.05	-	213893	365 v
CE	-	3 x 10 x 60 mm	80/95 mm	50 mm	-	-	61.70	-	8.45	-	4.46	1.77	-	-	-	-	-	-	-	-	214005	366
CE	1 x 10 mm	4 x 10 x 60 mm	71/115 mm	50 mm	139 mm	77 mm	56.10	-	43.60	-	8.91	6.28	6.90	5.94	1.04	-	-	11.70	2.55	-	214043	367
CE	1 x 10 mm	4 x 10 x 60 mm	81/115 mm	50 mm	139 mm	77 mm	62.40	-	43.60	-	8.91	5.09	-	5.94	1.04	-	-	12.40	2.55	-	214067	367
CE	1 x 10 mm	4 x 10 x 60 mm	91/115 mm	50 mm	139 mm	77 mm	68.70	-	43.60	-	8.91	4.28	-	5.94	1.04	-	-	12.40	2.55	-	214074	367
CE	1 x 10 mm	4 x 10 x 60 mm	101/115 mm	50 mm	139 mm	77 mm	75.00	-	43.60	-	8.91	3.69	-	5.94	1.04	-	-	12.40	2.55	-	214098	367
CE	1 x 10 mm	4 x 10 x 60 mm	121/115 mm	50 mm	139 mm	77 mm	87.60	-	43.60	-	8.91	2.90	-	5.94	1.04	-	-	12.40	2.55	-	214104	367
CE	1 x 10 mm	4 x 10 x 60 mm	141/115 mm	50 mm	139 mm	77 mm	100.00	-	43.60	-	8.91	2.39	-	5.94	1.04	-	-	12.40	2.55	-	214111	367
CE	2 x 10 mm	-	71/80 mm	50 mm	225 mm	74 mm	37.30	-	40.40	-	12.70	11.50	-	8.17	1.77	-	-	7.64	6.60	-	216740	394
CE	2 x 10 mm	-	91/80 mm	50 mm	225 mm	74 mm	47.80	-	40.40	-	12.70	11.50	-	10.50	1.02	-	-	7.64	6.60	-	216771	394
CE	2 x 10 mm	-	101/80 mm	50 mm	225 mm	74 mm	53.00	-	40.40	-	12.70	11.50	-	10.70	0.84	-	-	7.64	6.60	-	216795	394
CE	2 x 10 mm	-	141/80 mm	50 mm	225 mm	74 mm	74.00	-	40.40	-	12.70	11.50	-	10.70	0.49	-	-	7.64	6.60	-	216825	394
CE	1 x 10 mm	4 x 10 x 60 mm	71/115 mm	-	135 mm	68 mm	12.70	-	-	6.90	8.91	4.75	-	5.94	1.76	-	-	10.40	2.30	-	217600	451
CE	1 x 10 mm	4 x 10 x 60 mm	81/115 mm	-	135 mm	68 mm	12.70	-	-	6.90	8.91	3.91	-	5.94	1.76	-	-	10.40	2.30	-	217617	451

Attachment to the Declaration of Performance GAH/LE-004 dated 14.07.2020

Continued: Characteristic values of load-bearing capacity

The values given are only intended as a planning aid



	Means of connection bolts (bar dowel)	Means of connection screws (wood screw)	Post min w/h	Distances max a	Distances F2/F3	Distances F4/F5	F1 pressure, kN, wood, ym	F1 pressure, kN, steel, ym,0	F1 pressure, kN, steel, ym,1	F1 pressure, kN, steel, ym,2	F1 tension, kN, wood, ym	F1 tension, kN, steel, ym,0	F1 tension, kN, steel, ym,2	F2/3, kN, wood, ym	F2/3, kN, steel, ym,0	F2/3, kN, steel, ym,1	F2/3, kN, steel, ym,2	F4/5, kN, wood, ym	F4/5, kN, steel, ym,0	F4/5, kN, steel, ym,2	Order no. 4004338...	Type no.
CE	1 x 10 mm	4 x 10 x 60 mm	91/115 mm	-	135 mm	68 mm	12.70	-	-	6.90	8.91	3.33	-	5.94	1.76	-	-	10.40	2.30	-	217624	451
CE	1 x 10 mm	4 x 10 x 60 mm	101/115 mm	-	135 mm	68 mm	12.70	-	-	6.90	8.91	2.90	-	5.94	1.76	-	-	10.40	2.30	-	217631	451
CE	1 x 10 mm	4 x 10 x 60 mm	121/115 mm	-	135 mm	68 mm	12.70	-	-	6.90	8.91	2.30	-	5.94	1.76	-	-	10.40	2.30	-	217648	451
CE	2 x 10 mm	-	91/80 mm	-	265 mm	215 mm	13.90	-	-	32.70	13.90	-	32.70	10.50	8.44	-	-	1.62	9.35	-	214432	472
CE	2 x 10 mm	-	91/80 mm	50 mm	130 mm	82 mm	27.10	-	71.00	-	13.60	-	98.20	10.50	-	19.30	-	10.40	5.05	-	219925	655
CE	-	-	100/100 mm	200 mm	-	-	72.10	-	53.60	-	-	-	-	-	-	-	-	-	-	-	208028	480
CE	-	-	100/100 mm	56 mm	-	-	72.10	-	53.60	-	-	-	-	-	-	-	-	-	-	-	208035	481
CE	2 x 10 mm	-	111/80 mm	50 mm	130 mm	82 mm	27.10	-	71.00	-	13.60	-	98.20	12.80	-	19.30	-	10.40	5.05	-	219949	655
CE	2 x 10 mm	-	116/80 mm	50 mm	130 mm	82 mm	27.10	-	71.00	-	13.60	-	98.20	13.30	-	19.30	-	10.40	5.05	-	208417	655
CE	2 x 10 mm	-	121/80 mm	50 mm	130 mm	82 mm	27.10	-	71.00	-	13.60	-	98.20	13.90	-	19.30	-	10.40	5.05	-	208424	655
CE	2 x 10 mm	-	141/80 mm	50 mm	130 mm	82 mm	27.10	-	71.00	-	13.60	-	98.20	16.20	-	19.30	-	10.40	5.05	-	208431	655